

FeatherDUO Featherboard



OWNERS MANUAL:

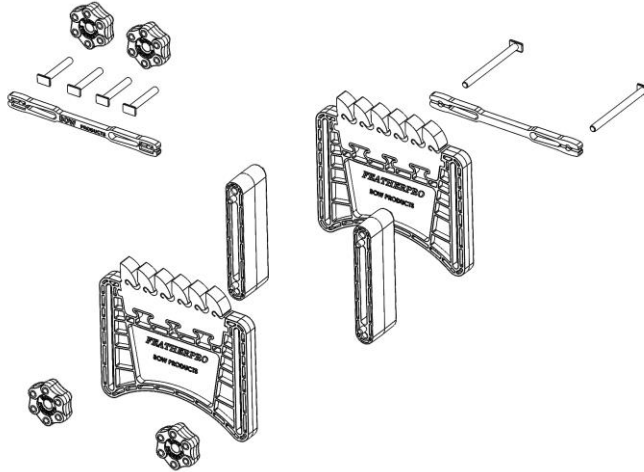
Bow Products FeatherDUO is designed to improve feed control, protect your wood and tools, and most importantly, to protect you better than plastic or wood featherboards. FeatherDUO feathers are made of durable High-Density EVA foam for a smooth firm glide, vibration dampening and are non-marring under tension. EVA will not harm cutters if contacted. Feather design features anti-kickback living hinge that absorbs kickback forces. EVA Feathers are reversible for left or right feeds or replaceable if damaged. You may opt to use our Standard Feather; sold separately.

Fit Specification: Fits 3/8" x 3/4" (to 20mm) Miter Slots, T Bolt fits 12 - 18mm T-Track (T Bolt spec: 5/16 - 18 x 2 1/4" (short) and 4 3/8" (Long) fully threaded. T-Bolt Head Dim: .090 Thick x .45W x .725L)

FeatherDUO Part # FP3

Components

Plastic Body	2
Miter Bar	2
Knob	4
4 3/8" Long T Bolt	2
2 1/4" Short T Bolt	4
Riser	2
"Ultralight" EVA Feather	2



ASSEMBLY:

When using Miter Slot: Insert 4 3/8" T-Bolts through bottom of Miter Bar (Image 1).



Image 1 T-Bolt nests



Image 2 Feed Direction

Next feed T bolt through the slots in the Plastic Body, through Riser (fit Risers into the bottom plastic body with the widest pins down) Then feed through second Plastic Body. Thread on knobs.

When Using with T-Track: Assemble the same way except leave out the Miter Bar.

Assembling 2 individual FeatherPRO: Assembly same way using 2 1/4" Bolts, leave out Risers.

SET UP AND USE: Please read warnings below and study instructions prior to use. Mounts only to a 3/8" x 3/4" (19-20mm) Miter Slot, or 12-18mm T-Track. Assemble FeatherDUO for use in either a Miter Slot or a T-Track (see Assembly above). Ensure Feathers are facing in feed direction (See image 2 above). After positioning FeatherDUO, apply desired tension and secure tightening both knobs. Recommendations for use by machine type:

- **TABLE SAW or BAND SAW:** Position FeatherDUO on the table at least 1" forward of the cutter in the direction of the feed. **⚠ WARNING** Do not position the FeatherDUO after (outfeed) the cutter on the table saw table, doing so may pinch material against the cutter and cause kickback resulting in serious personal injury. You may use the individual FeatherPRO on a fence. Position an individual FeatherPRO before or after the cutter on the fence since the force of the feathers is down on the material.
- **ROUTER:** You can position FeatherDUO or individual FeatherPRO on a Router (and Router fence > Individual FeatherPRO only) before and after the cutter. Do not position Featherboard vertically directly over the bit or horizontally directly to the side of the bit. Doing so may cause contact between feather and the bit.

⚠ WARNING: When using Electric Power Tools with the FeatherDUO, be sure to understand and adhere to the manufacturer's operating instructions including the safety precautions contained herein to avoid possibility of fire, Electric Shock or Personal injury. Read and understand all FeatherDUO and Power Tool instructions before using this product.

⚠ WARNING: Always ensure the Power Tool is turned off during set up. A featherboard is not an anti-kickback device. Its purpose is to help feed wood through a cutting tool. Be sure that your material and fence are square as you cut and that you use a sharp cutting tool. Practice safe practices and keep hands away from the cutting tool edges and your body out of the cutting path. Keep hands clear of the cutter.

⚠ WARNING: California Prop 65: This Product may contain one or more chemicals known to the state of California to cause cancer and birth defects or other reproductive harm. For more information, go to www.P65warnings.ca.gov.

FeatherDUO ACCESSORIES:

- **Ultralight Replacement Feathers (Pt # FPU2):** Feather designed for greater sensitivity and control of feather flex.
- **Standard Replacement Feathers (Pt # FPS2):** Standard Replacement feathers that come with the FeatherPRO.

Other Bow Products: FeatherPRO Featherboard; GuidePRO and GuidePRO Accessories, PushPRO Push Stick and Hardware kits. See Website

WARRANTY: FeatherDUO comes with a One Year Limited warranty for Defects in Materials or Workmanship.

CUSTOMER SERVICE: You may contact us via customerservice@bow-products.com. You may also contact us at 844.895.4488.

Bow Products Inc. 8778 Boyce Rd. Corfu, NY 14036 PH: 844.895.4488 www.bow-products.com May 2020