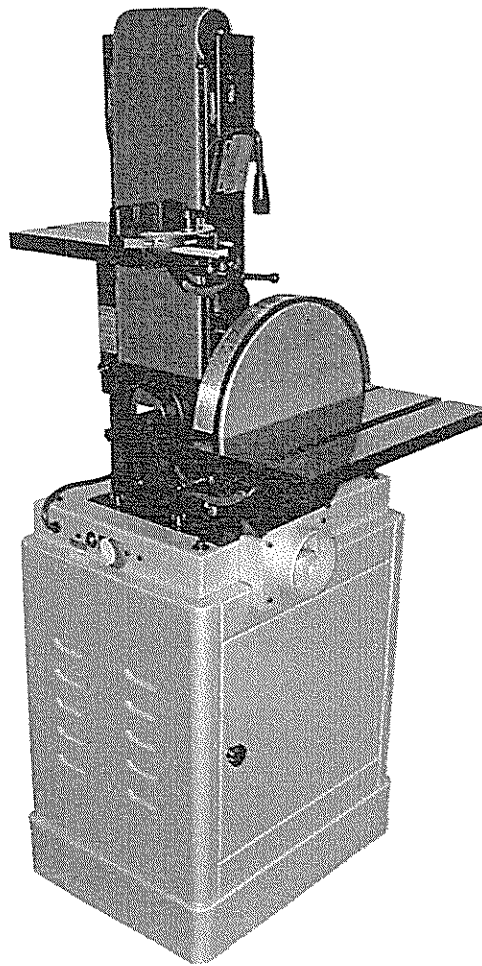


Operator's Manual

6×48" Oscillating Belt

12" Disc

SANDER



CAUTION: Read and follow all Safety Rules and Operating Instructions before First Use of this Product.

Read Instruction Manual Before Operating Sander

1. Wear eye protection.
2. Support workpiece with backstop or worktable.
3. Maintain 1/16 inch maximum clearance between table and sanding belt or disc.

Safety Rules

1. KEEP GUARDS IN PLACE and in working order.
2. REMOVE ADJUSTING KEYS AND WRENCHES From tool before turning it on.
3. KEEP WORK AREA CLEAN. Cluttered areas and benches invite accidents.
4. Keep work area well lighted.
5. KEEP CHILDREN AWAY From all power tools.
6. MAKE WORKSHOP KID PROOF with padlocks, master switches, or by removing starter keys.
7. DON'T FORCE TOOL. It will do the job better and safer at the rate for which it was designed.
8. WEAR PROPER APPAREL. Wear no loose clothing, gloves, neckties, rings, bracelets, or other jewelry which may get caught in moving parts. Nonslip foot-wear is recommended. Wear protective hair covering to contain long hair.
9. ALWAYS USE SAFETY GLASSES. Face or dust mask if dusty.
10. SECURE WORK. Use clamps or vise to hold work when possible.
11. MAINTAIN TOOLS WITH CARE. Keep tools sharp and clean for best and safest performance. Follow instructions for lubricating and changing accessories.
12. DISCONNECT TOOLS before servicing; when changing accessories, such as blades, bits, cutters.
13. REDUCE THE RISK OF UNINTENTIONAL STARTING. Make sure switch is in OFF position before plugging it in.
14. USE RECOMMENDED ACCESSORIES. Consult the owner's manual for recommended accessories. The use of improper accessories may cause risk of injury.
15. NEVER LEAVE TOOL RUNNING UNATTENDED. TURN POWER OFF. Don't leave tool until it comes to a complete stop. Then unplug the tool from the power source.

Grounding Instructions

Grounding provides a path of least resistance for electric current to reduce the risk of electric shock. This tool is equipped with an electric cord having an equipment-grounding conductor and a grounding plug. The plug must be plugged into a matching outlet that is properly installed and grounded in accordance with all local codes and ordinances.

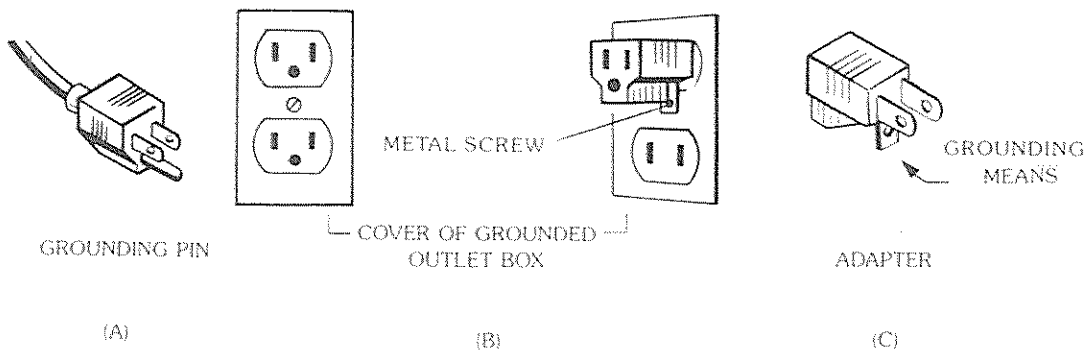
Check with a qualified electrician if the grounding instructions are not completely understood, or if in doubt as to whether the tool is properly grounded.

Use only 3-wire extension cords that have 3-prong grounding plugs and 3-pole receptacles that accept the tool's plug.

This tool is intended for use on a circuit that has an outlet that looks like the one illustrated in Sketch A.

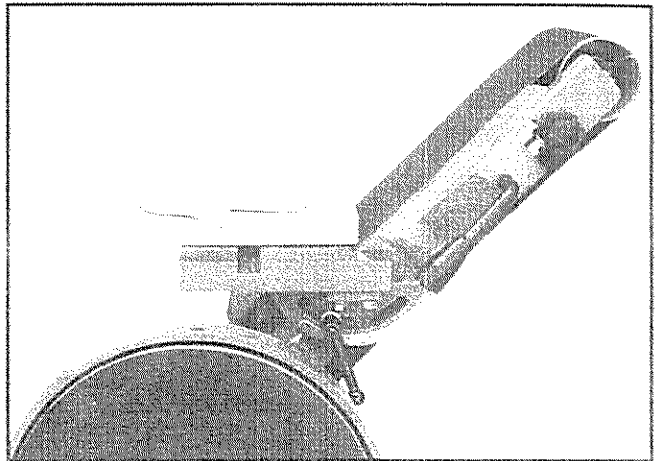
The tool has a grounding plug that looks like the plug illustrated in Sketch A.

A temporary adapter, which looks like the adapter illustrated in Sketches B and C, may be used to connect this plug to a 2-pole receptacle as shown in Sketch B if a properly grounded outlet is not available. The temporary adapter should be used only until a properly grounded outlet can be installed by a qualified electrician. The green-colored rigid ear, lug, and the like, extending from the adapter must be connected to a permanent ground such as a properly grounded outlet box.



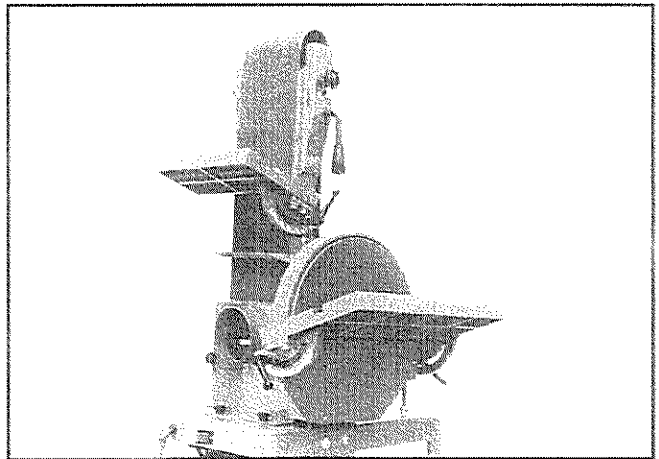
Belt Operates At Any Angle

You can operate the belt vertically, horizontally or at any degree in between. Note that work table can remain in level position, providing excellent work support.



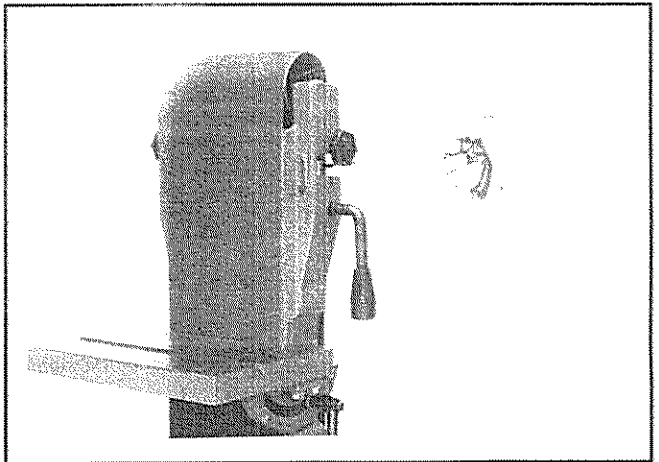
Two Adjustable Tables

With this Combination Finishing Machine, you get two scientifically ribbed tables. Two widely spaced trunnions firmly support the Disc Sander table while a single massive trunnion provides ample rigidity for the Belt Sander table.



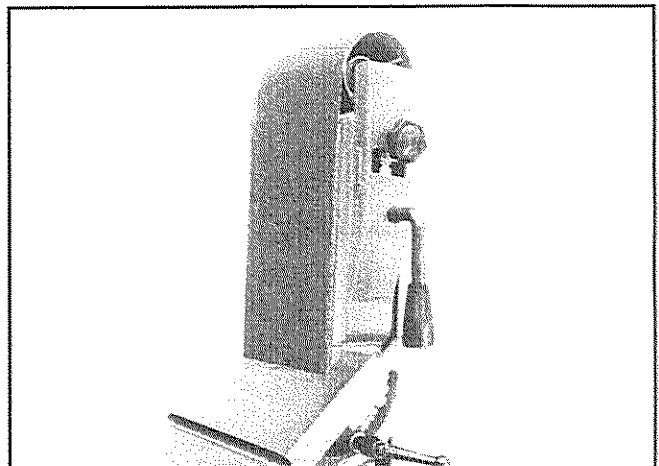
Belt Tracking Feature

Adjust nut has fine adjustment for easy tracking of belt. Tracking adjustment locks firmly in place.



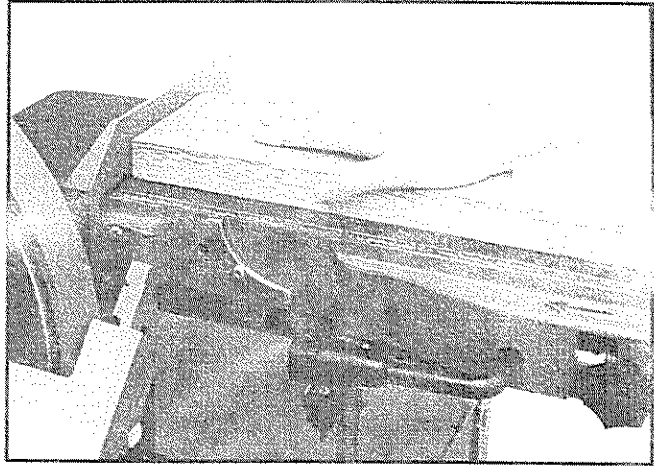
Belt Sander Table Trunnion

Supports table for accurate work. Stop Link and adjustable screws provide positive settings at 90° and 45°. Table may be tilted 20° in. Easy-to-read scale and adjustable pointer.



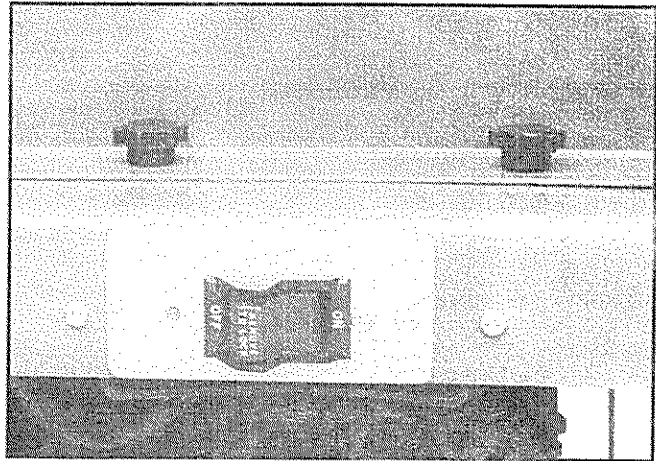
Back Stop

Excellent for sanding flat stock, because it prevents stock from being carried along with the belt.



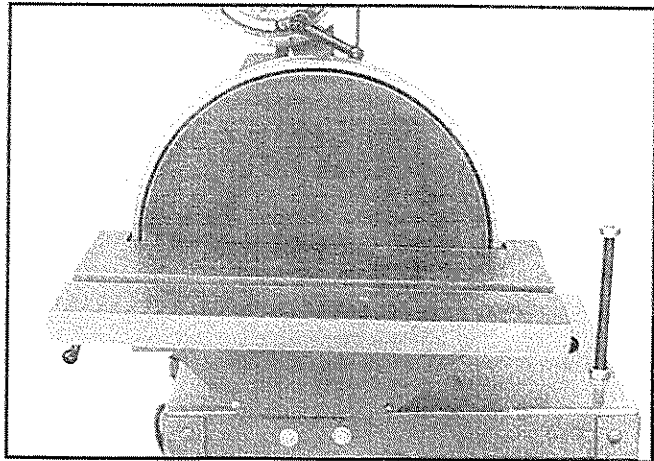
Safety On Off Switch

Removable switch button prevents accidental starts when machine is left unattended.



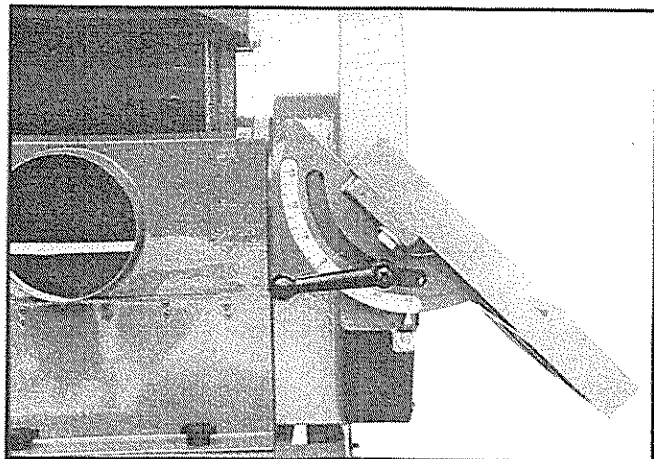
Big 7¹/₈x15³/₄" Table

Ample work support for sanding large items.



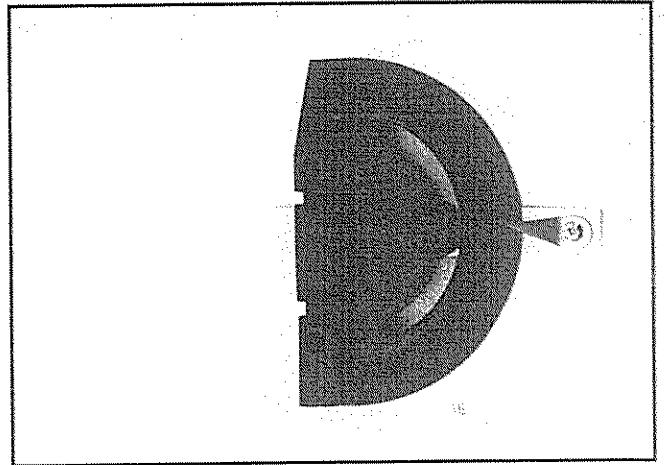
Handy Tilt Scale with Positive Table Locks

Conveniently located tilt scale shows exact degree of tilt desired from 45° out 20° in. Positive grip hand wheels on either side of the table locks it securely in position.



Miter Gage

For straight and angle sanding. Has $3/8 \times 3/4 \times 8"$ guide bar and pivoting work support body with pointer and calibrations reading through 120° . Adjustable, positive stops at 90° and 45° .



REPLACEMENT PARTS LIST FOR SANDER

| KEY NO. | PART NO. | DESCRIPTION | QTY. |
|---------|----------|--------------------------------|------|
| 1 | | Aluminum Disc | 1 |
| 2 | | 5/16-18 x 3/8" Set Screw* | 1 |
| 3 | | Disc Cover Plate | 1 |
| 4 | | #10-24 x 3/8" Socket Head Bolt | 6 |
| 5 | | 12" Abrasive Disc | 1 |
| 6 | | A32 V-Belt* | 1 |
| 7 | | Pulley | 1 |
| 8 | | 1/4-20 x 3/8" Set Screw* | 2 |
| 9 | | Miter Gauge Assembly (66-79) | 1 |
| 10 | | 8 x 30 x 3mm Flat washer | 7 |
| 11 | | Disc Guard | 1 |
| 12 | | 4 x 16mm Spring Pin | 6 |
| 13 | | 5/16" Flat Washer* | 9 |
| 14 | | 5/16" Lock Washer* | 2 |
| 15 | | 5/16-18 x 1" Socket Head Bolt | 9 |
| 16 | | Handle Assembly | 3 |
| 17 | | 5/16" Flat Washer | 2 |
| 18 | | Trunnion | 3 |
| 19 | | Rivet | 3 |
| 20 | | Slide | 3 |
| 21 | | Pointer | 1 |
| 22 | | #10 Lock Washer* | 2 |
| 23 | | Angle Label | 2 |
| 24 | | Disc Table | 1 |
| 25 | | Abrasive Belt | 1 |
| 26 | | 5/16-18 x 1 3/4" Carriage Bolt | 2 |
| 27 | | Bolt Liner | 1 |
| 28 | | Idler Drum Shaft | 1 |
| 29 | | Pivot Bracket | 1 |
| 30 | | 5/16-18 x 1" Socket Head Bolt | 4 |
| 31 | | Work Stop | 1 |
| 32 | | 3AMI-17 Retaining Ring* | 1 |
| 33 | | Snap Ring | 1 |
| 34 | | Ball Bearing | 1 |
| 35 | | Ball Bearing 6003ZZ* | 1 |
| 36 | | Drive Drum | 1 |
| 37 | | 5/16-18 x 3/4" Set Screw | 2 |
| 38 | | 5/16-18" Hex Nut* | 2 |
| 39 | | 5 x 5 x 65mm Key | 1 |
| 40 | | Drive Shaft | 1 |
| 41 | | Guard | 1 |
| 42 | | #10-24 x 2 1/2" Pan Head Screw | 1 |
| 43 | | 1/4-20 x 2" Set Screw | 1 |
| 44 | | 3AMI-12 Retaining Ring* | 9 |
| 45 | | Knob | 2 |
| 46 | | 6mm Flat Washer* | 2 |
| 47 | | Ball Bearing 6201ZZ* | 3 |
| 48 | | Belt Housing | 1 |

| KEY NO. | PART NO. | DESCRIPTION | QTY. |
|---------|----------|----------------------------------|------|
| 49 | | Belt Cover | 1 |
| 50 | | Cam | 2 |
| 51 | | Knob | 4 |
| 52 | | Belt Tension Handle | 1 |
| 53 | | Knob | 1 |
| 54 | | Pointer | 1 |
| 55 | | Adjusting Nut | 2 |
| 56 | | Spring | 2 |
| 57 | | 1/4 x 20 x 1" Set Screw | 2 |
| 58 | | 1/4"-20 Hex Nut* | 5 |
| 59 | | 1/2" Lock Washer* | 3 |
| 60 | | 5-0.8 x 6mm Set Screw | 1 |
| 61 | | Right Adjusting Bar | 1 |
| 62 | | Left Adjusting Bar | 1 |
| 63 | | Belt Table | 1 |
| 64 | | Drum Cap | 2 |
| 65 | | Idler Drum | 1 |
| 66 | | Knob | 1 |
| 67 | | 1/4" Flat Washer* | 1 |
| 68 | | #10 Fiber Washer | 1 |
| 69 | | Threaded Pin | 1 |
| 70 | | #10-24 x 1/4" Pan Head Screw* | 1 |
| 71 | | #10 Flat Washer* | 1 |
| 72 | | Scale | 1 |
| 73 | | Indicator | 1 |
| 74 | | #10-24 x 1/2" Flat Head Screw | 2 |
| 75 | | Indexing Pin | 1 |
| 76 | | Miter Gauge Bar | 1 |
| 77 | | #10-24 x 3/4" Pan Head Screw* | 3 |
| 78 | | #10-24 Hex Nut* | 3 |
| 79 | | Miter Gauge | 1 |
| 80 | | 11.0 x 2.4mm O-Ring | 1 |
| 81 | | Gear Shaft | 1 |
| 82 | | Gearbox Assembly | 1 |
| 83 | | 5-0.8 x 12mm Washer Head Screw | 3 |
| 84 | | Grease Nipple | 1 |
| 85 | | Crank | 1 |
| 86 | | 4-1.6 x 12mm Threadforming Screw | 1 |
| 87 | | Guide Block | 1 |
| 88 | | 5-0.8 x 20mm Socket Head Bolt | 3 |
| 89 | | Bracket | 2 |
| 90 | | 6-1.0 x 8mm Hex Head Bolt | 2 |
| 91 | | #10-24 x 1/2" Socket Head Bolt | 1 |
| 92 | | #10-24 Fibre Hex Nut | 1 |
| 93 | | Rod End | 1 |
| 94 | | Connecting Rod | 1 |
| Δ | | Operator's Manual | 1 |

* Standard hardware item available locally

Δ Not shown

Figure 11 - Replacement Parts Illustration for Sander

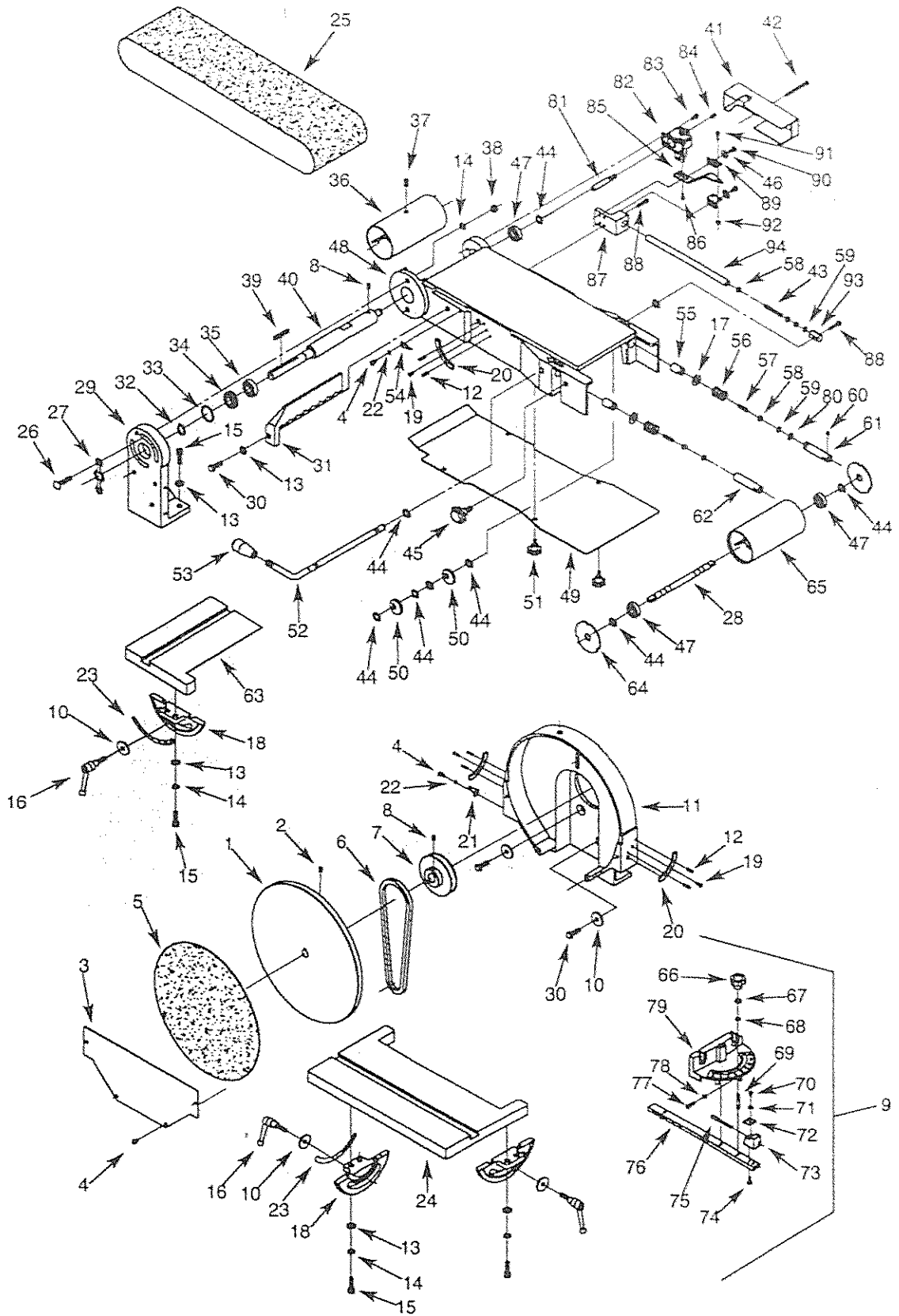
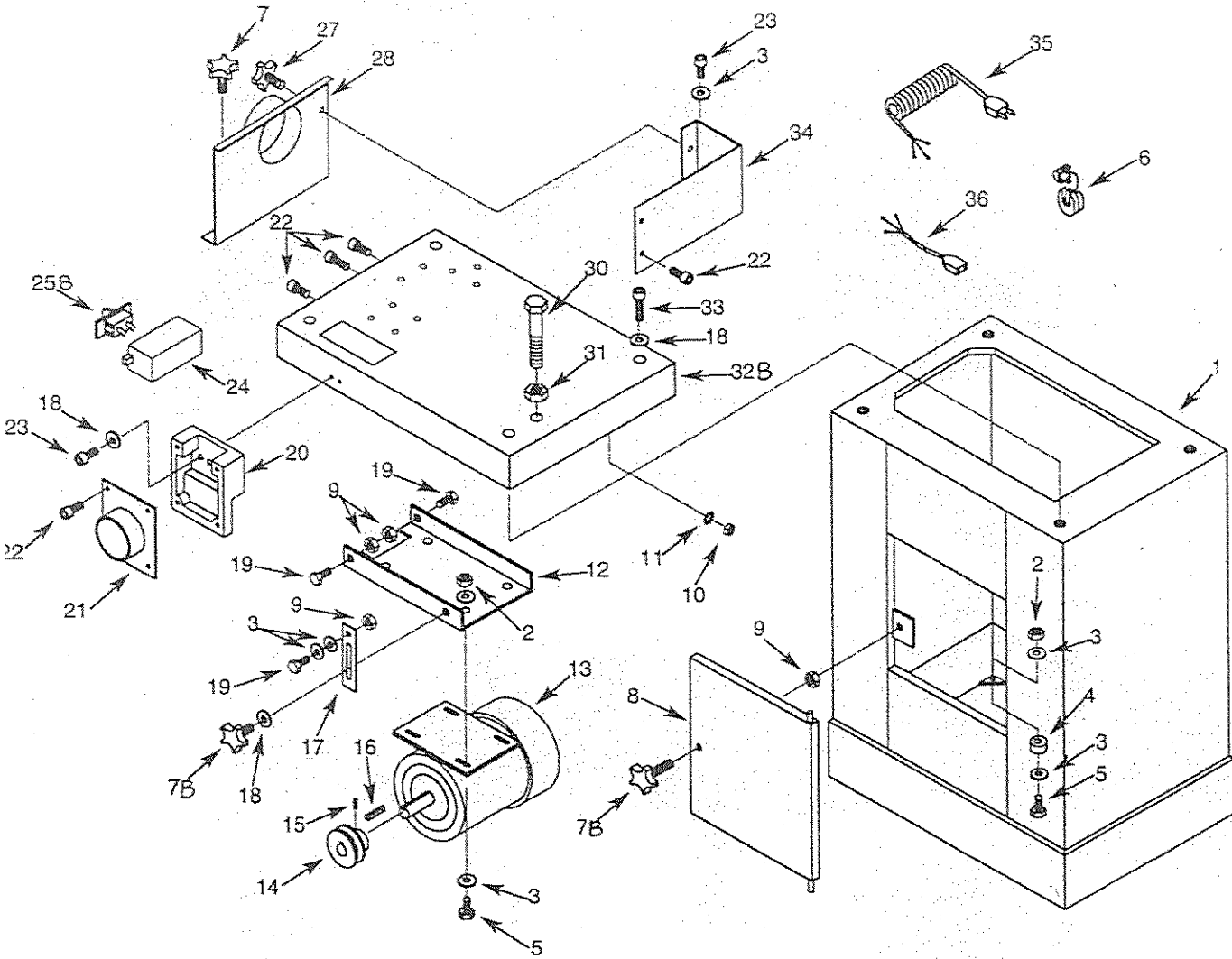


Figure 12 - Replacement Parts Illustration for Cabinet



REPLACEMENT PARTS LIST FOR CABINET

| KEY NO. | PART NO. | DESCRIPTION | QTY. |
|---------|----------|---------------------------------|------|
| 1 | | Cabinet | 1 |
| 2 | | 5/8"-18 Hex Nut* | 8 |
| 3 | | 3/8" Flat Washer* | 20 |
| 4 | | Foot Rest | 4 |
| 5 | | 5/8"-18 x 1" Hex Head Bolt* | 8 |
| 6 | | Strain Relief | 3 |
| 7 | | Knob | 2 |
| 8 | | Cabinet Door Assembly | 1 |
| 9 | | 5/8"-18 Locking Nut* | 4 |
| 10 | | #10-24 Hex Nut* | 1 |
| 11 | | #10 Serrated Washer* | 1 |
| 12 | | Motor Plate | 1 |
| 13 | | Motor with Cord | 1 |
| 14 | | Motor Pulley | 1 |
| 15 | | 1/4-20 x 3/8" Set Screw* | 1 |
| 16 | | 5 x 5 x 25mm Key | 1 |
| 17 | | Hang Up Bracket | 1 |
| 18 | | 3/8" Flat Washer | 7 |
| 19 | | 5/8"-18 x 3/4" Hex Head Bolt* | 3 |
| 20 | | Disc Cover Bracket | 1 |
| 21 | | Dust Collection Port | 1 |
| 22 | | #10-24 x 3/8" Socket Head Bolt | 9 |
| 23 | | 5/8"-18 x 1/2" Socket Head Bolt | 4 |
| 24 | | Switch Box | 1 |
| 25 B | | Switch | 1 |
| 27 | | Knob | 1 |
| 28 | | Dust Hood | 1 |
| 30 | | 1/2"-12 x 5 1/2" Shoulder Bolt | 1 |
| 31 | | 1/2"-12 Hex Nut | 1 |
| 32 B | | Base | 1 |
| 33 | | 5/8"-18 x 3" Socket Head Bolt | 4 |
| 34 | | Dust Hood Base | 1 |
| 35 | | Line Cord | 1 |
| 36 | | Switch Cord | 1 |
| 7B | | Knob | 2 |

* 7B Standard hardware item available locally

