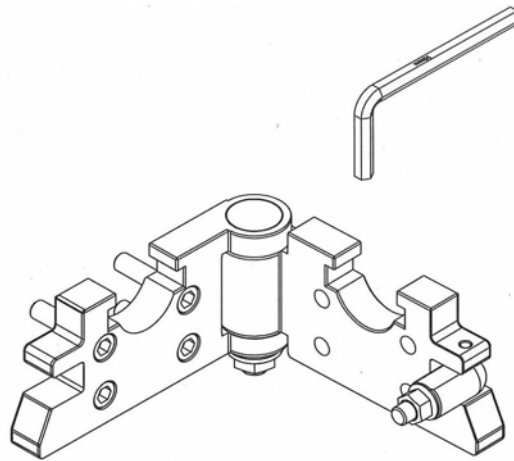


# **NOVA**

## ***Swing Away***

### ***Accessory™***

## ***Instruction Manual***



### **Nova Swing Away Tailstock**

Perfect for Bowl Users – Quickly Swing Away Tailstock  
Space Saving - Swing Away extra Bed Extensions when not needed.

Fast and easy to use.

Incredible added versatility to your NOVA lathe.

**READ THIS MANUAL CAREFULLY AND**

**BECOME THOROUGHLY FAMILIAR WITH  
OPERATIONS BEFORE USE**

Publication No: 98-0804-007

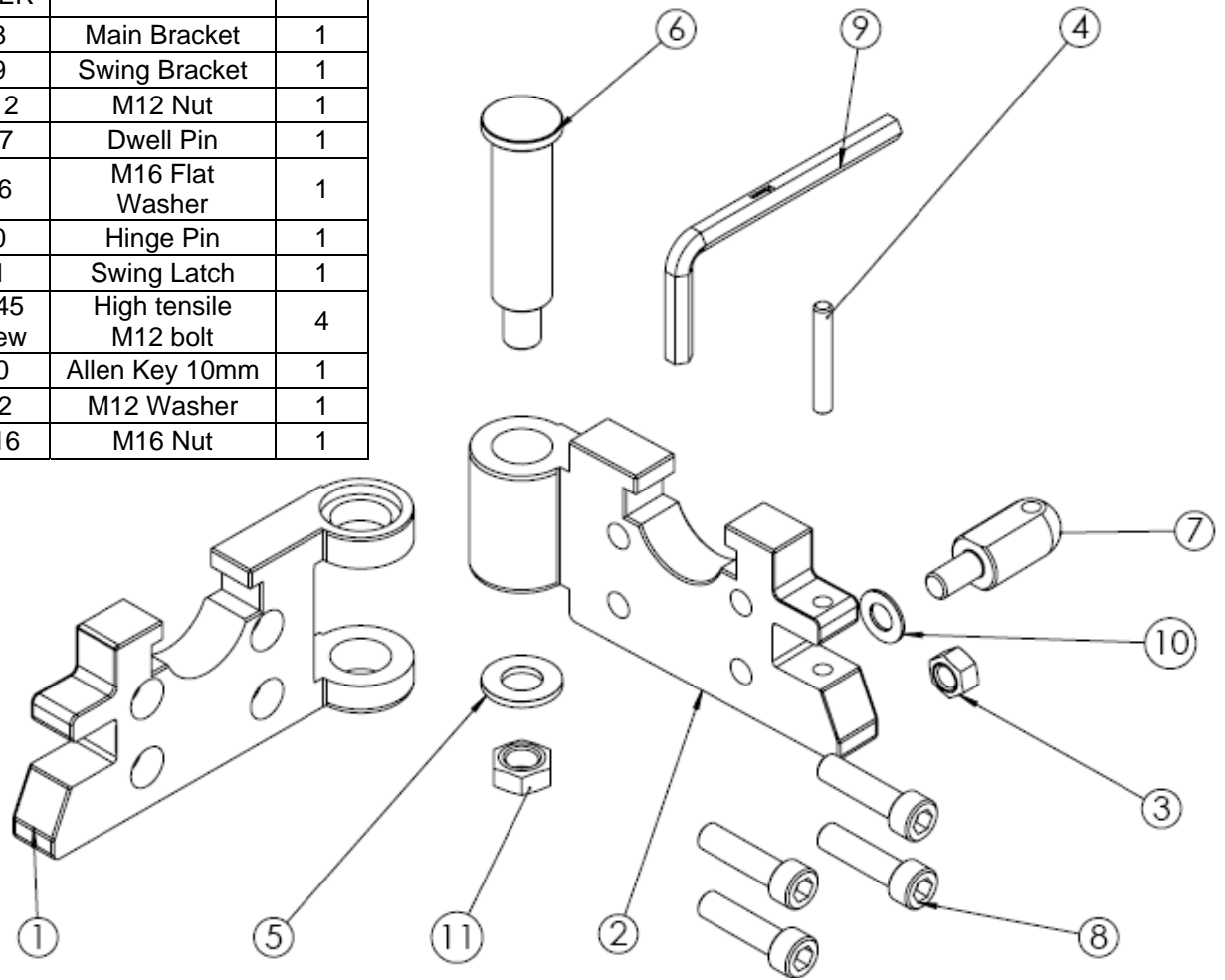
Last updated: June, 2008

PART NO: 9007

Designed for Nova DVR & Nova 1624 with trapezoidal bed sections

## Part Lists

ITEM NO.	PART NUMBER	DESCRIPTION	QTY.
1	9008	Main Bracket	1
2	9009	Swing Bracket	1
3	NHZ12	M12 Nut	1
4	55037	Dwell Pin	1
5	FW16	M16 Flat Washer	1
6	9010	Hinge Pin	1
7	9011	Swing Latch	1
8	M12x45 C Screw	High tensile M12 bolt	4
9	AK10	Allen Key 10mm	1
10	FW12	M12 Washer	1
11	NHH16	M16 Nut	1



## Product Assembly

The newly designed NOVA Swing Away Accessory provides professional wood turners with another powerful option of attaching their extension bed.

The new NOVA Swing Away Accessory with high-tensile SGI cast body is manufactured with modern CNC machining centres to give the product not only extreme strength, but also the greatest precision on the market.

Designed using 3D CAD and Finite Element Analysis software, the NOVA Swing Away Accessory is strong, lightweight and cost efficient.



**Fig. 1 Unit ready for alignment**

# Assembly & Alignment

Due to heavy cast iron parts being handled, we strongly recommended that this assembly operation be carried out by two people. Please follow step by step instructions below:

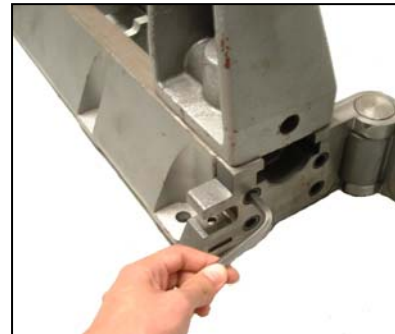
- 1) Move the tailstock onto the main bed as this will be used in the alignment procedure of the swing away attachment.
- 2) Remove the extension bed on the lathe by undoing the four cap screws and spring washers. These four cap screws and spring washers will be reused to join the extension bed to one end of the swing away attachment.

If you are adding onto another purchased extension bed, then four cap screws and spring washers will be included with the extension bed.

- 3) Attach part no: 9008 to the bed attached to the lathe. You should have the counter bore holes facing you as shown in (Fig 2). Attach four M12 cap screws and nip them up. Do not fully tighten at this point.
- 4) Bring the tailstock over the join surface between the main bed and 9008 which has just been attached (fig 3).
- 5) Clamp the tailstock firmly and then with the help of the Allen key provided fully fasten the four cap screws.
- 6) Move the tailstock away again onto the main bed.
- 7) Now bring the extension to the other bracket (part 9009) and attach the four cap screws and spring washers (that were just removed from the main bed and extension assembly). These four cap screws and spring washers will need to be attached from the inside of the extension bed.
- 8) Repeat steps from 4 onwards.
- 9) Check that the tailstock can move freely over the complete join surface between main bed and extension bed through the swing away attachment. **DO NOT place your tailstock on the joint surface when you are swinging your bed extension away. Fail to do this could cause mis-alignment of your tailstock.**
- 10) Your swing away attachment is fully aligned now and is ready for use.



**Fig 2. Part 9008 with Counter Bore Holes**



**Fig 3. Aligning part 9008 to bed with Tailstock**



**Fig 4. Attaching part 9009 to bed View from underneath**



**Fig 5. SwingAway Unit ready to use**

# Safety Instructions

**Nova Swing Away Accessory is designed to use with DVRXP / NOVA 1624 Lathe beds ONLY.**

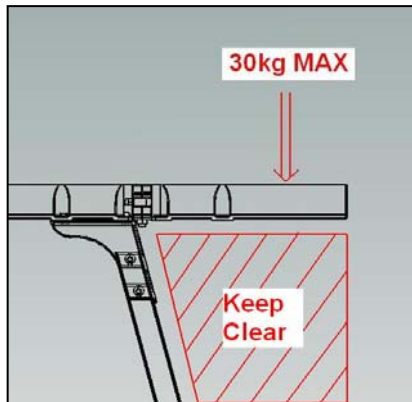
1. Please ensure DVRXP / Nova 1624 lathe headstock is attached to the main bed when using Nova Swing Away Unit.
2. Please ensure all 8 screws used are NOVA high tensile M12 cap screws provided with the package.



**Fig. 6 Use with DVRXP / 1624 lathe and Headstock**

3. **DO NOT** use any other screws to fasten the unit, fasten with custom made screws are strictly prohibited.

4. Please avoid leaning on extension bed and **DO NOT** exceed design load 30kg on the extension bed. Please keep the area under extension bed clear.



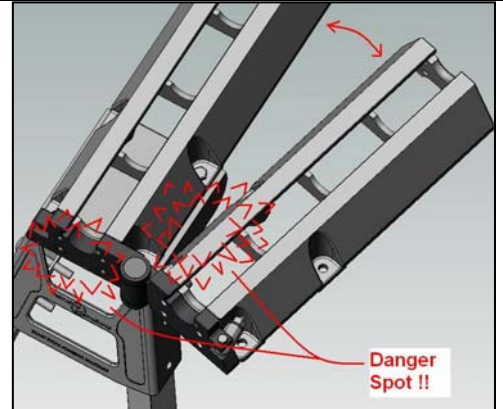
**Fig. 7 Do not exceed design load 30kg, keep underneath area clear**

**!!Caution!!**

**Nova Tailstock (13kg)  
Nova Toolslide (7kg)**

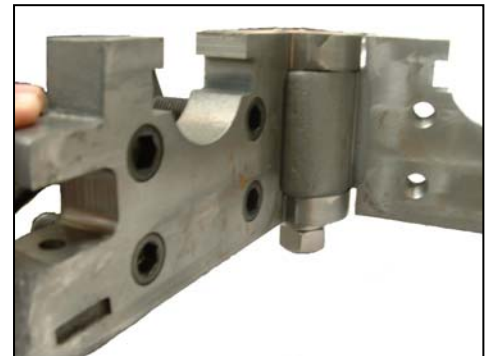
5. Please remove all extra items from the extension bed when swinging (apart from Nova tailstock and toolslide).

6. When the extension bed is swinging please operate slowly and gently.



**Fig. 8 do not place fingers at danger spots**

7. Please do not place fingers at danger spots when swinging to avoid possible damage.



**Fig. 9 Be careful of sharp edges on the unit**

## Specifications:

**Dimensions ( closed ):** 210 x 120 x 86 mm  
**Weight ( with screws ):** 5.5 kg  
**Material ( main body ):** QT450-10 High Tensile SGI  
**Max Swinging Angle :** 180 degree  
**Maximum Net load on extension bed (kg):** 30kg  
**Fastenings:** 4 x M12 high tensile Allen Head Cap Screws