

Assembly Instructions - SCH-X

A1-12pcs	A2-32pcs	B1-6pcs	B2-8pcs	C1-12pcs	C2-4pcs	C3-8pcs	D1-80psc	D2-4pcs	E1-12pcs
12x40mm	10x40mm	5x90mm	4x20mm	M10x100	M10x120	M8x100	M10	M10	M10
E2-16pcs	E3-4pcs	F-4pcs		G1-8pcs	G2-8pcs	G3-8pcs	G4 - 16pcs	G5 - 4pcs	G6 - 8pcs
			Vice fitting kit					Vice attaching wood	Wooden protectors
M8	M10			4x40 mm	M5x25mm	M5	8x60mm		

Attention:



ENG

Workbench is made of high quality beech wood guaranteeing maximum resistance and long service life.

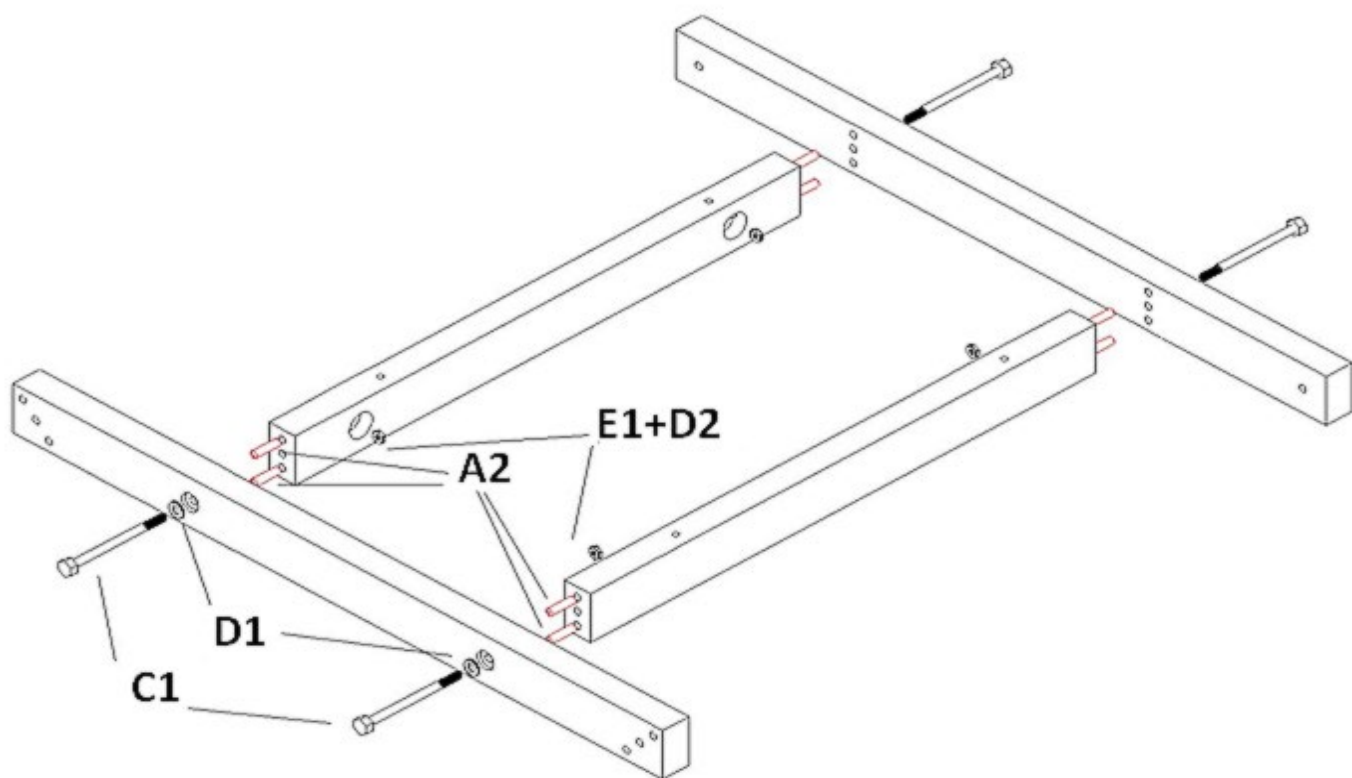
NOTICE:

The bench must not be left in damp or humid conditions which will cause movement in the wood. **Recommended humidity level max. 60%.**

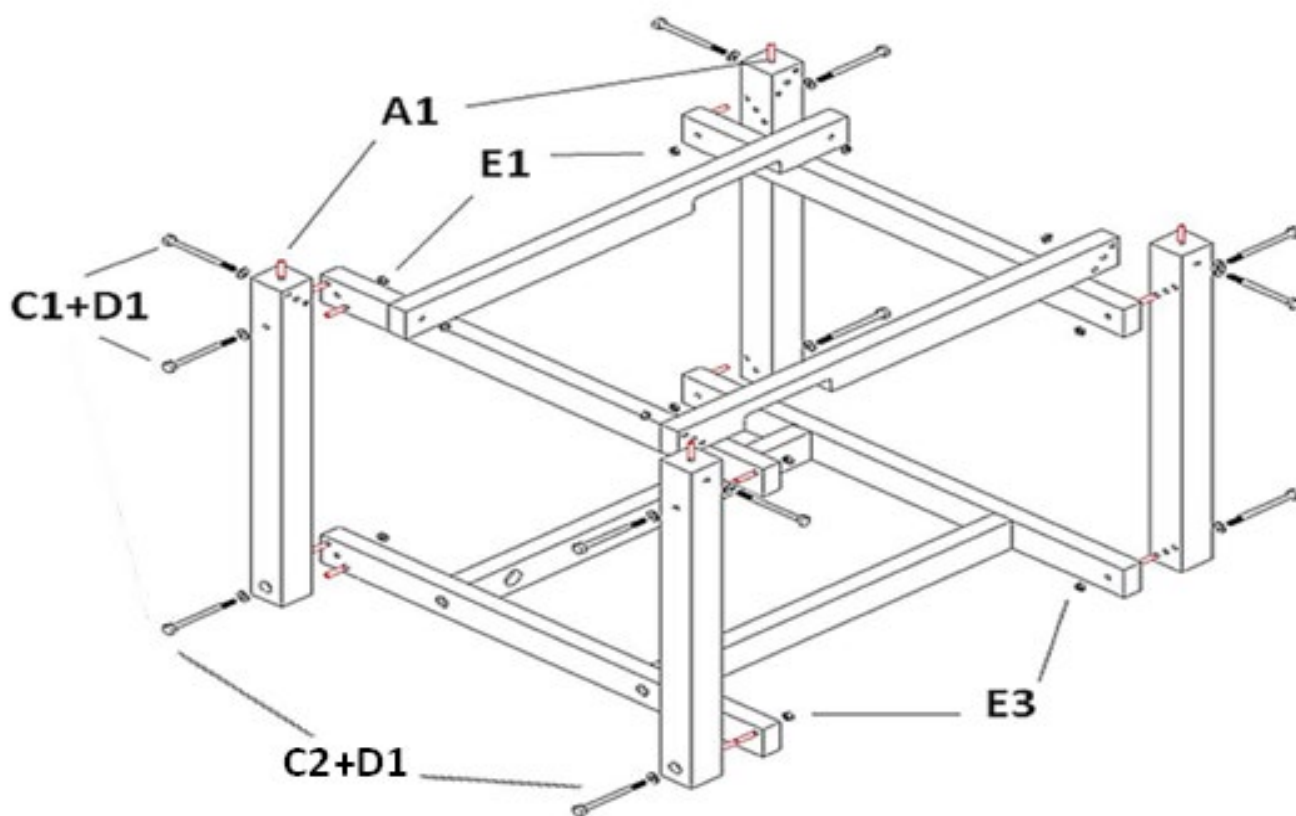
If you bought workbench without surface treatment, we recommend you to finish the bench by colourless varnish or oil including the bottom of workbench. Varnish (oil) prevents absorption of surrounding moisture. **Don't forget to repeat surface treatment each year including holes for bench dogs.**

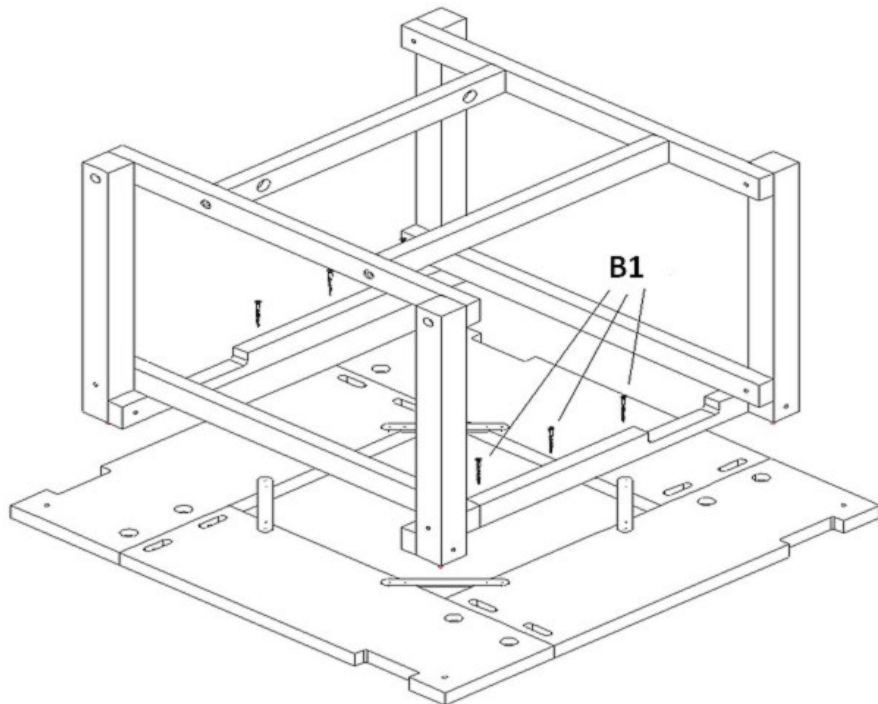
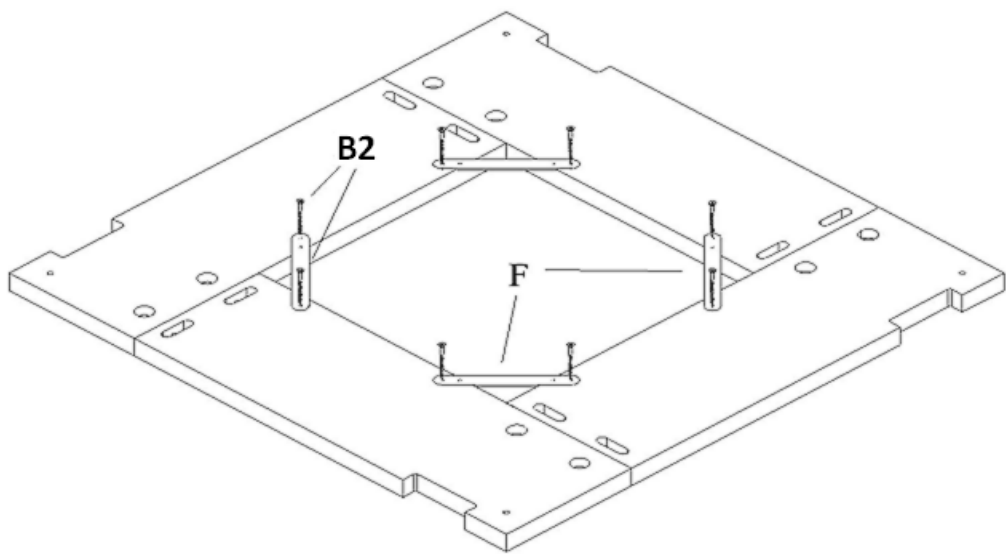
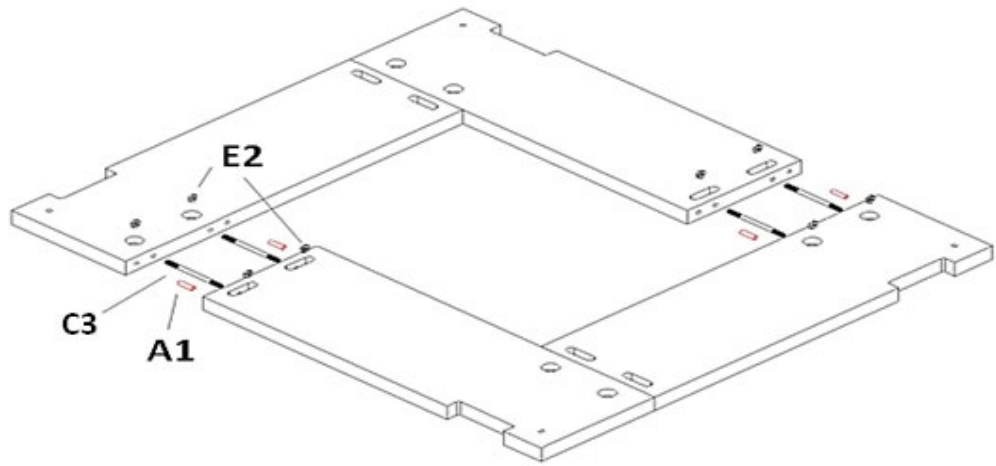
To increase the stability of your workbench we recommend you to bolt the bench to the floor.

Each 6 months tighten all screws and bolts.



Don't glue dowels. Dowels have only guiding function.





Attaching the Vices

